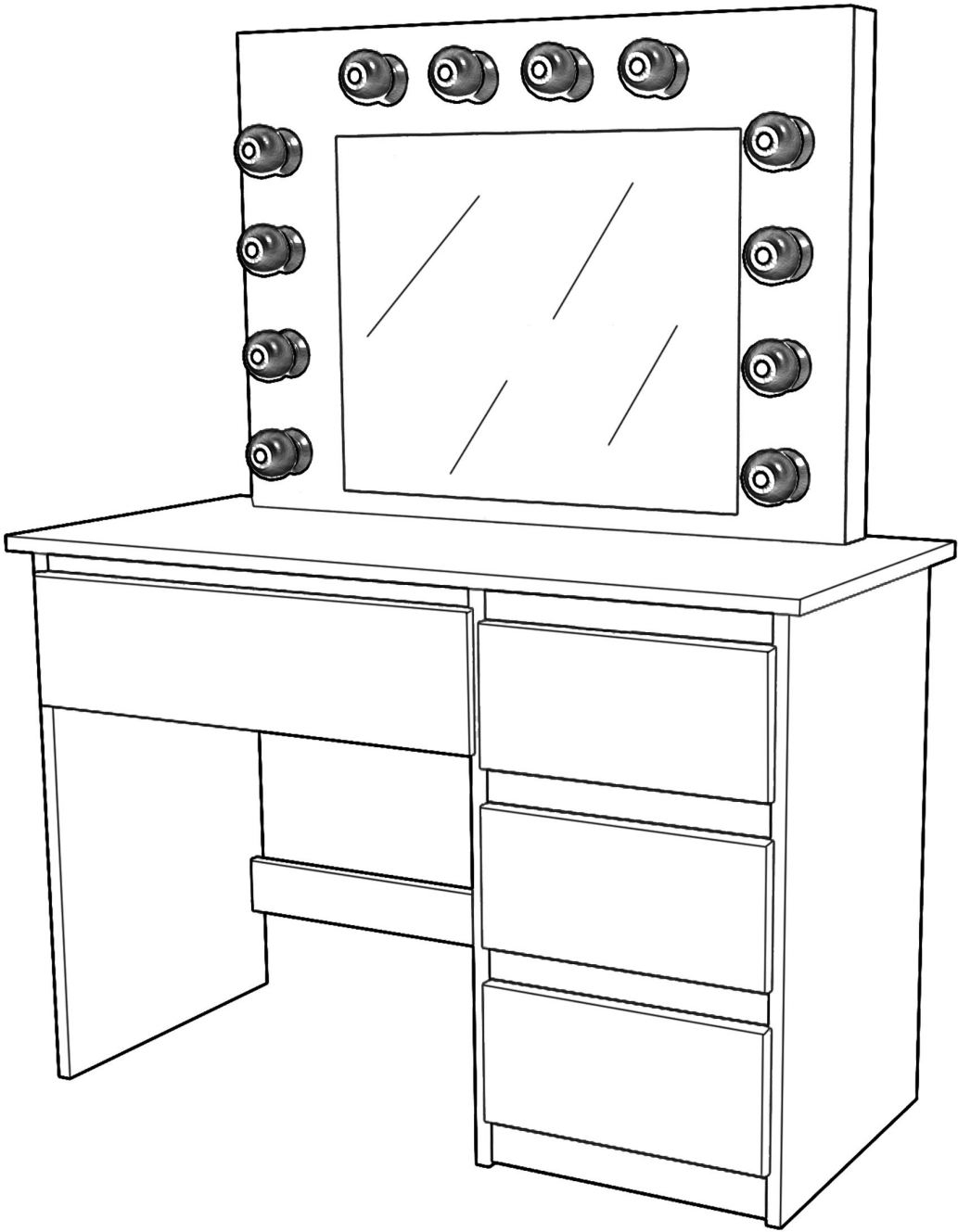
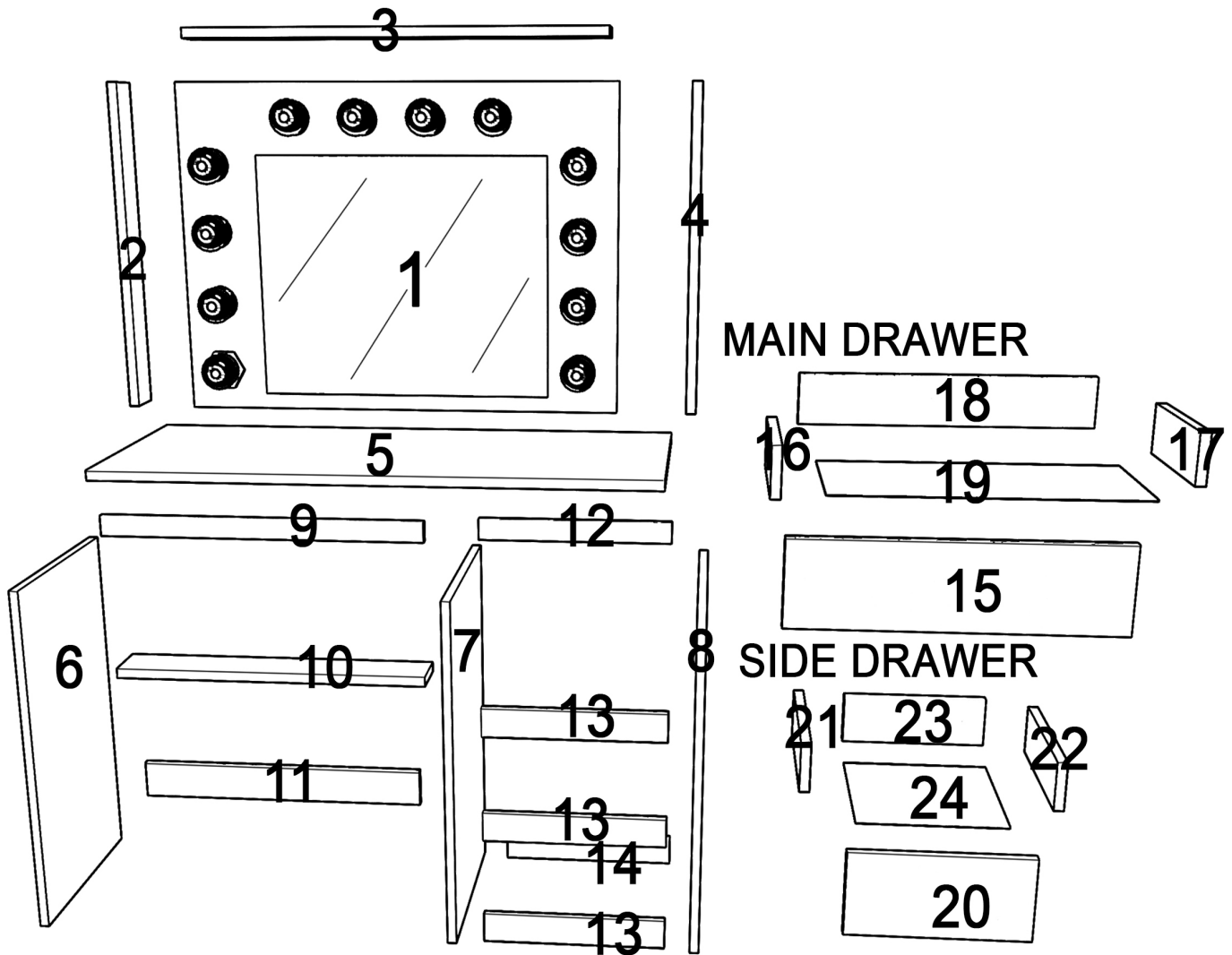


ASSEMBLY INSTRUCTIONS




DRESSING TABLE



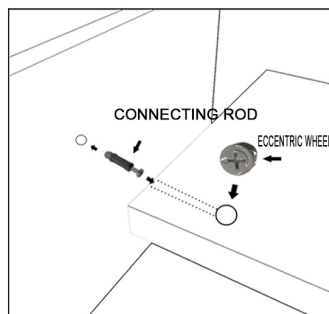
PARTS LIST





HARDWARE LIST

- | | | |
|---|---|---------|
| A |  | X84SETS |
| B |  | X8 SETS |
| C |  | X32 PCS |
| D | LIGHT GROUP | X1 SETS |

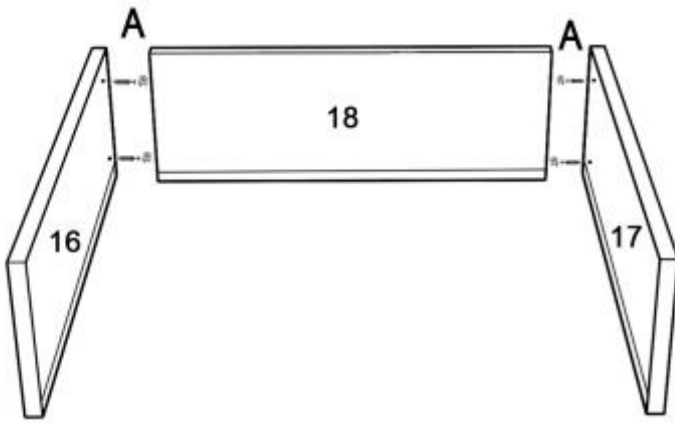
COMPONENT DESCRIPTION



-  ECCENTRIC WHEEL
-  CONNECTING ROD

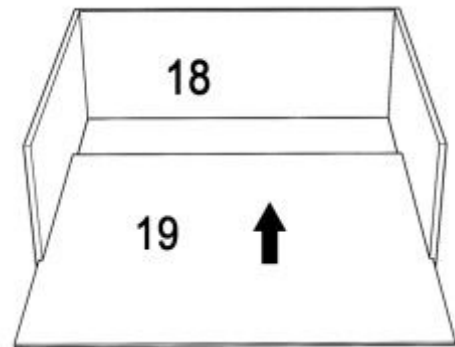
NOTE:
PLEASE PAY ATTENTION TO THE DEPTH OF THE CONNECTING ROD. IT IS NECESSARY TO MAKE THE ECCENTRIC WHEEL JUST CLICK ON THE CONNECTING ROD. IF THERE IS DEVIATION, PLEASE ADJUST THE DEPTH OF THE CONNECTING ROD.

STEP 1



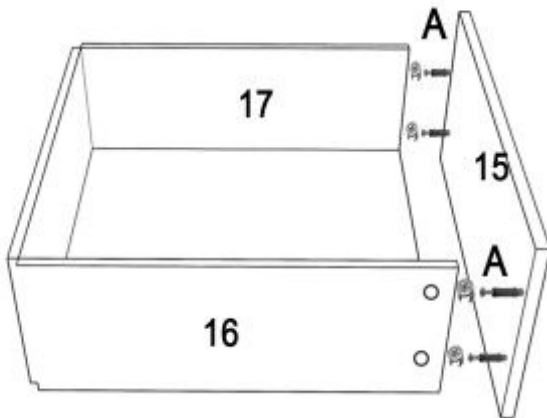
USE HARDWARE A (X4 SETS) TO CONNECT DRAWER LEFT PANEL (16), DRAWER RIGHT PANEL (17) AND DRAWER REAR PANEL (18) RESPECTIVELY.

STEP 2



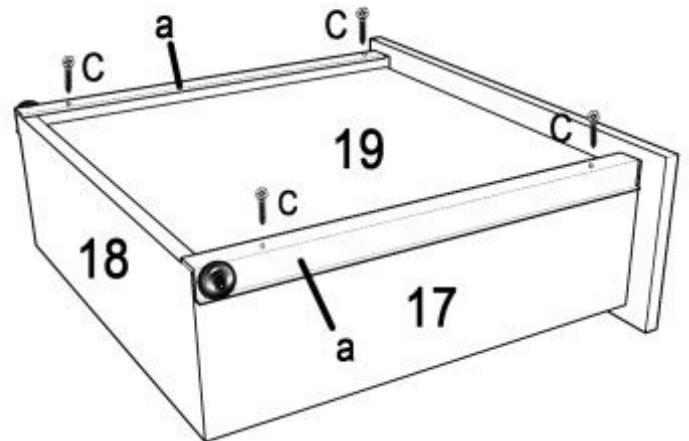
LOAD DRAWER BOTTOM PLATE (19) INTO THE DRAWER FRAME INSTALLED IN STEP 1.

STEP 3



USE HARDWARE A (X4 SETS) TO CONNECT DRAWER FRONT PANEL (15) TO THE DRAWER FRAME INSTALLED IN STEP 2.

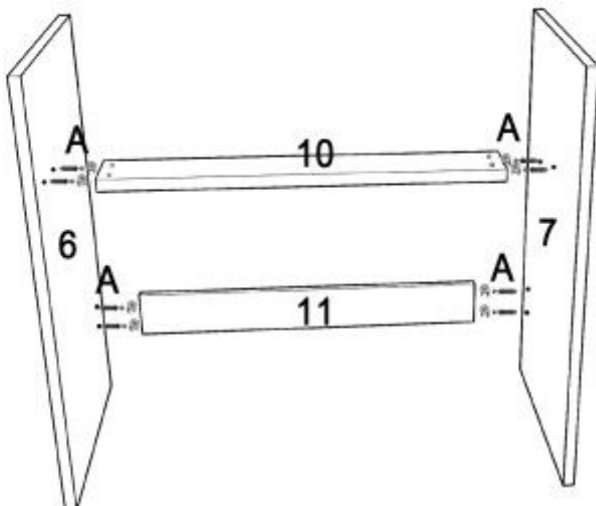
STEP 4



USE THE SCREW C (X4PCS) TO ATTACH THE a PART OF THE HARDWARE B TO THE SIDES OF THE DRAWER..

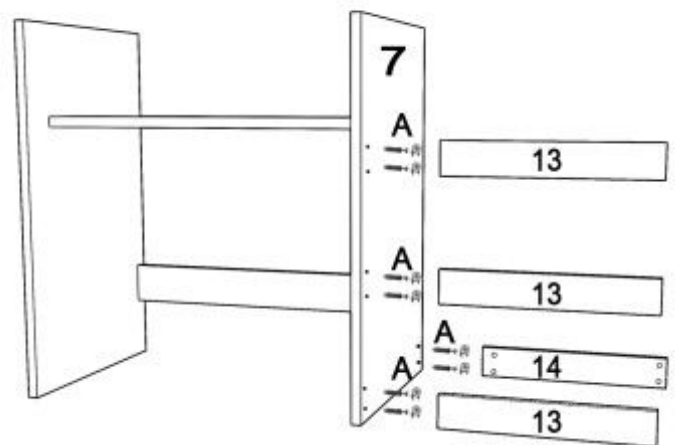
FOLLOW THE STEPS ABOVE TO INSTALL THE SIDE DRAWER

STEP 5



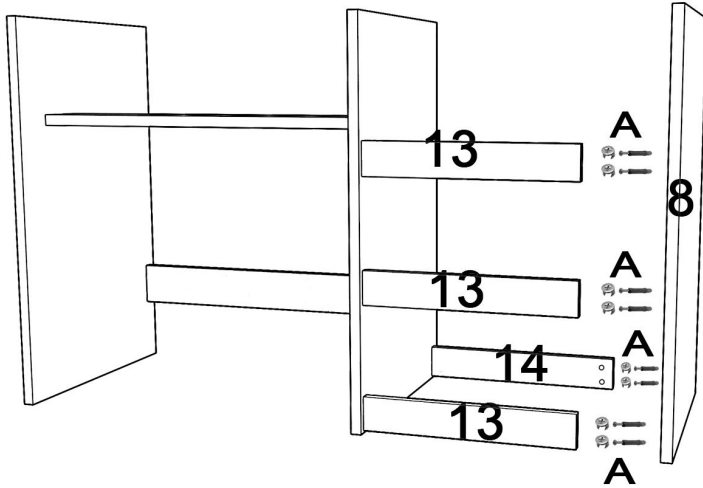
AS SHOWN IN THE FIGURE, USE HARDWARE A (X8 SETS) TO CONNECT THE TWO ENDS OF THE HORIZONTAL PLATES 10 AND 11 TO THE SIDE PLATES 6 AND 7 RESPECTIVELY

STEP 6



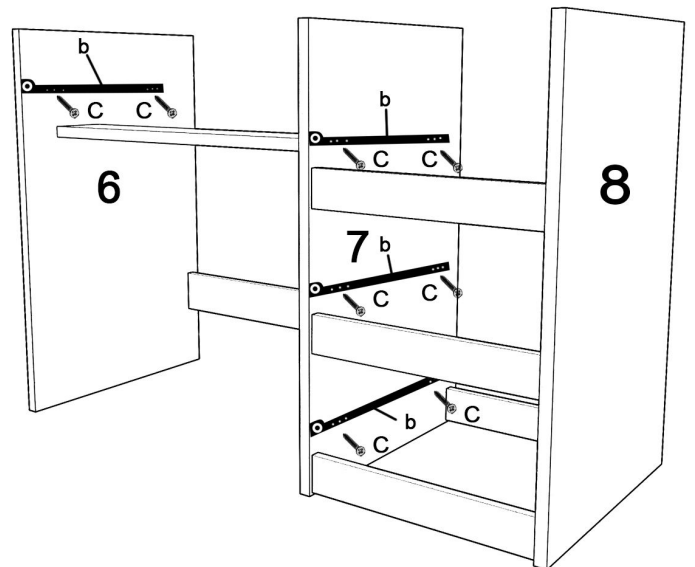
AS SHOWN IN THE FIGURE, USE HARDWARE A (X8 SETS) TO CONNECT ONE END OF THE HORIZONTAL PLATES 13 AND 14 TO THE SIDE PLATE 7.

STEP 7



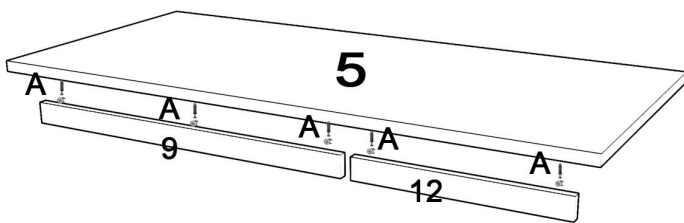
AS SHOWN IN THE FIGURE, USE HARDWARE A(X8SETS) TO INSTALL THE SIDE PLATE 8 ON THE FRAME ASSEMBLED IN STEP 6,

STEP 8



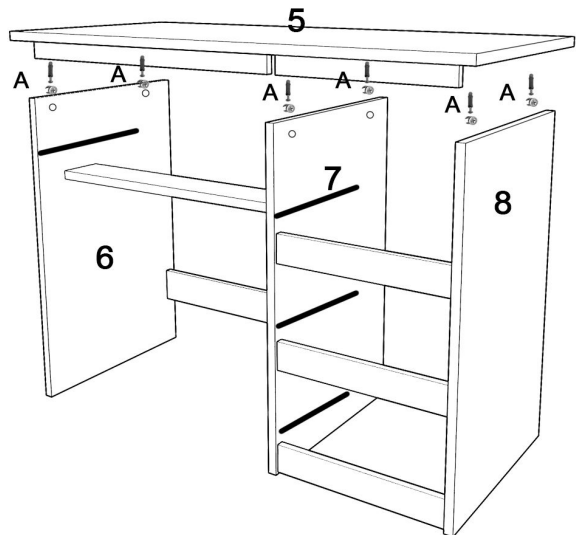
AS SHOWN IN THE FIGURE, INSTALL THE b PART OF THE HARDWARE D(X8SETS) TO THE SIDE PLATES 6, 7, 8 AND FIX THEM WITH SCREWS C(X16PCS).

STEP 9



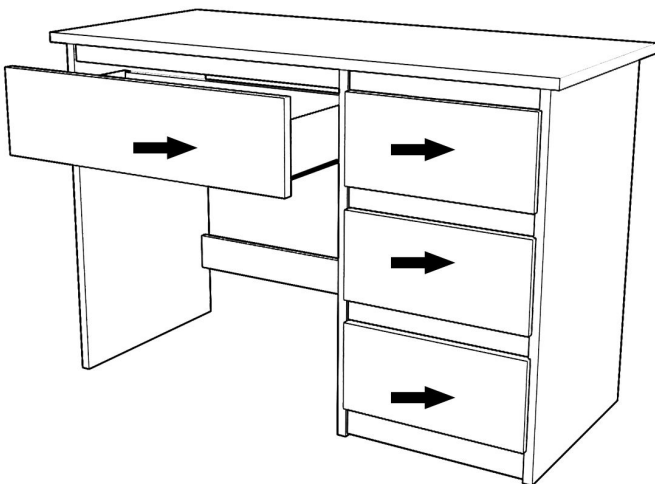
AS SHOWN IN THE FIGURE, INSTALL THE HARDWARE A(X5SETS) TO THE SIDE PANELS 9, 12 ON THE DESKTOP BOARD (5).

STEP 10



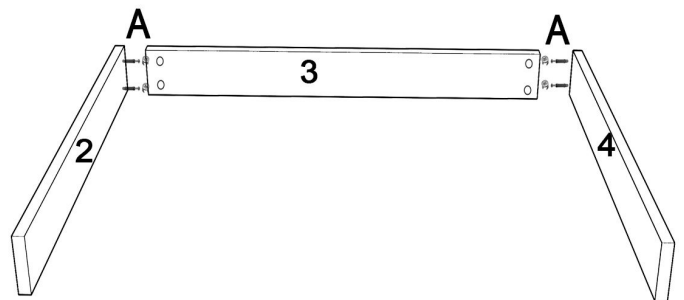
AS SHOWN IN THE FIGURE, INSTALL THE DESKTOP ASSEMBLED IN STEP 9 TO THE FRAME ASSEMBLED IN STEP 8 AND USE HARDWARE A(X6SETS) TO CONNECT.

STEP 11



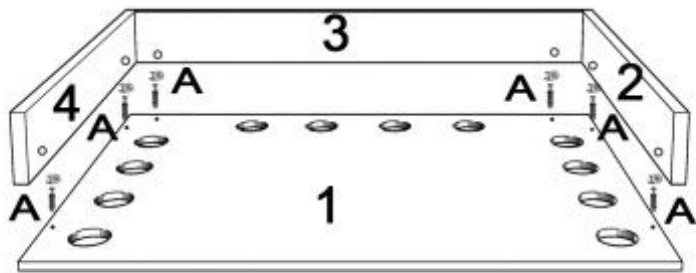
AS SHOWN IN THE FIGURE, PUT ALL THE DRAWERS INTO THE FRAME OF THE DRESSING TABLE ASSEMBLED IN STEP 10.

STEP 12



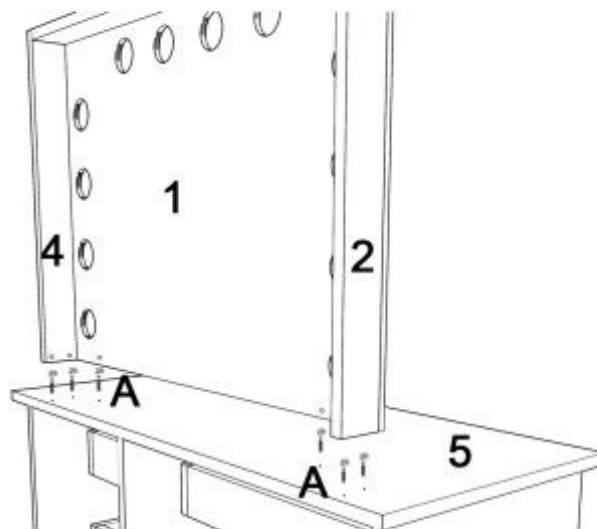
AS SHOWN IN THE FIGURE, USE HARDWARE A(X4SETS) TO CONNECT THE TWO ENDS OF THE MIRROR UPPER FRAME (3) WITH THE MIRROR SIDE PLATES 2, 4 RESPECTIVELY.

STEP 13



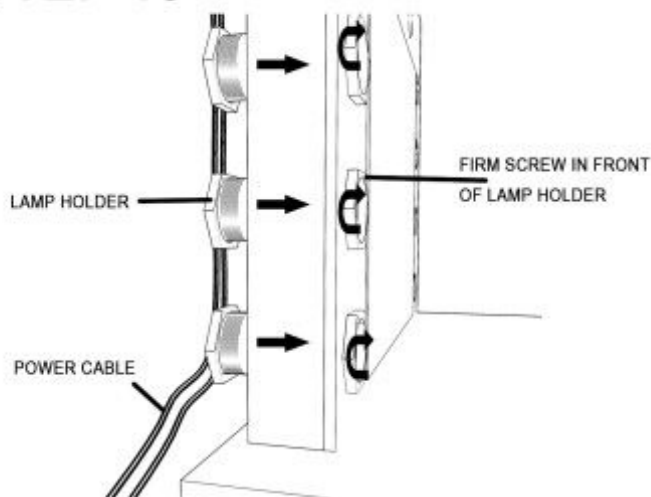
AS SHOWN IN THE FIGURE, INSTALL THE MIRROR(1) ON THE FRAME ASSEMBLED IN STEP 12 AND CONNECT IT WITH HARDWARE A.

STEP 14



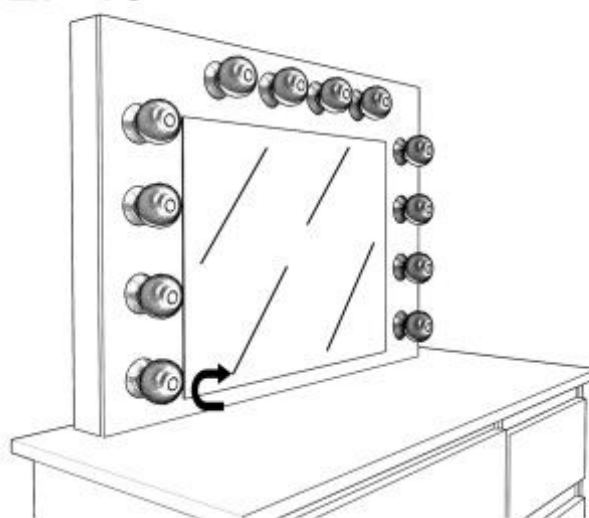
AS SHOWN IN THE FIGURE, INSTALL THE MIRROR ASSEMBLED IN STEP 13 ON THE TOP OF THE DRESSING TABLE ASSEMBLED IN STEP 11 AND CONNECT IT WITH HARDWARE A(X6SETS).

STEP 15



AS SHOWN IN THE FIGURE, TAKE OUT THE LAMP ASSEMBLY AND REMOVE THE BULB, THEN REMOVE THE FRONT SOLID SCREWS OF THE LAMP HOLDER, AND THEN INSTALL THE LAMP HOLDERS INTO THE HOLES UNDER THE MIRROR ONE BY ONE, AND INSTALL THE FRONT SOLID SCREWS ON THE LAMP HOLDER.

STEP 16



AS SHOWN IN THE FIGURE, INSTALL ALL THE BULBS INTO THE SOCKET IN A CLOCKWISE DIRECTION,

STEP 17



THE INSTALLATION IS COMPLETE

NOTE:

A SET OF LAMP SET INCLUDES POWER CORD, 12 LAMP SOCKETS, 12 BULBS (ALL LAMP SOCKETS HAVE BEEN CONNECTED TO THE POWER LINE, PLEASE CHECK WHETHER THE LINE IS LOOSE OR FALLING OFF BEFORE INSTALLATION, IF ANY, PLEASE INSTALL IT IN THE ORIGINAL POSITION)